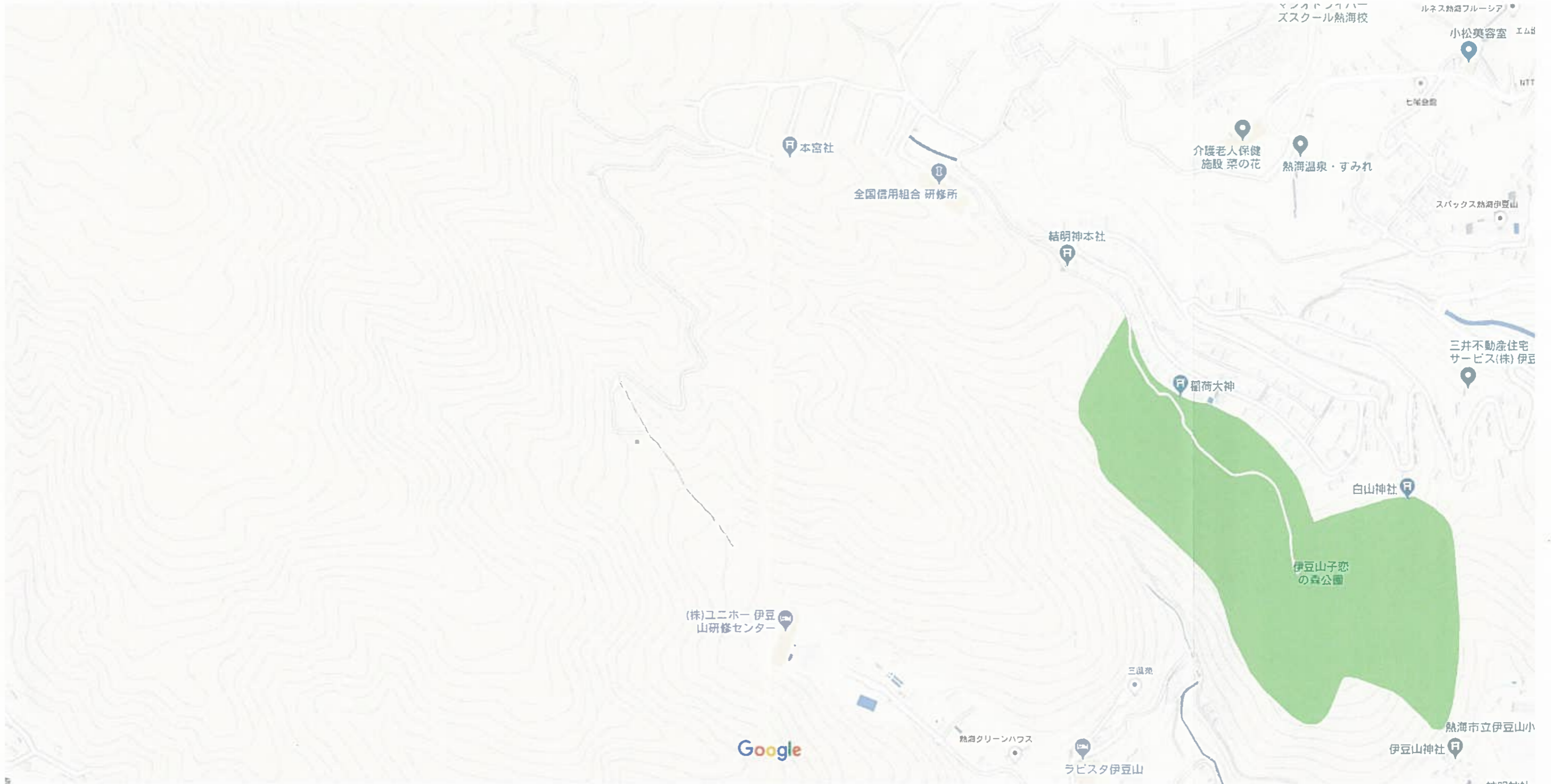


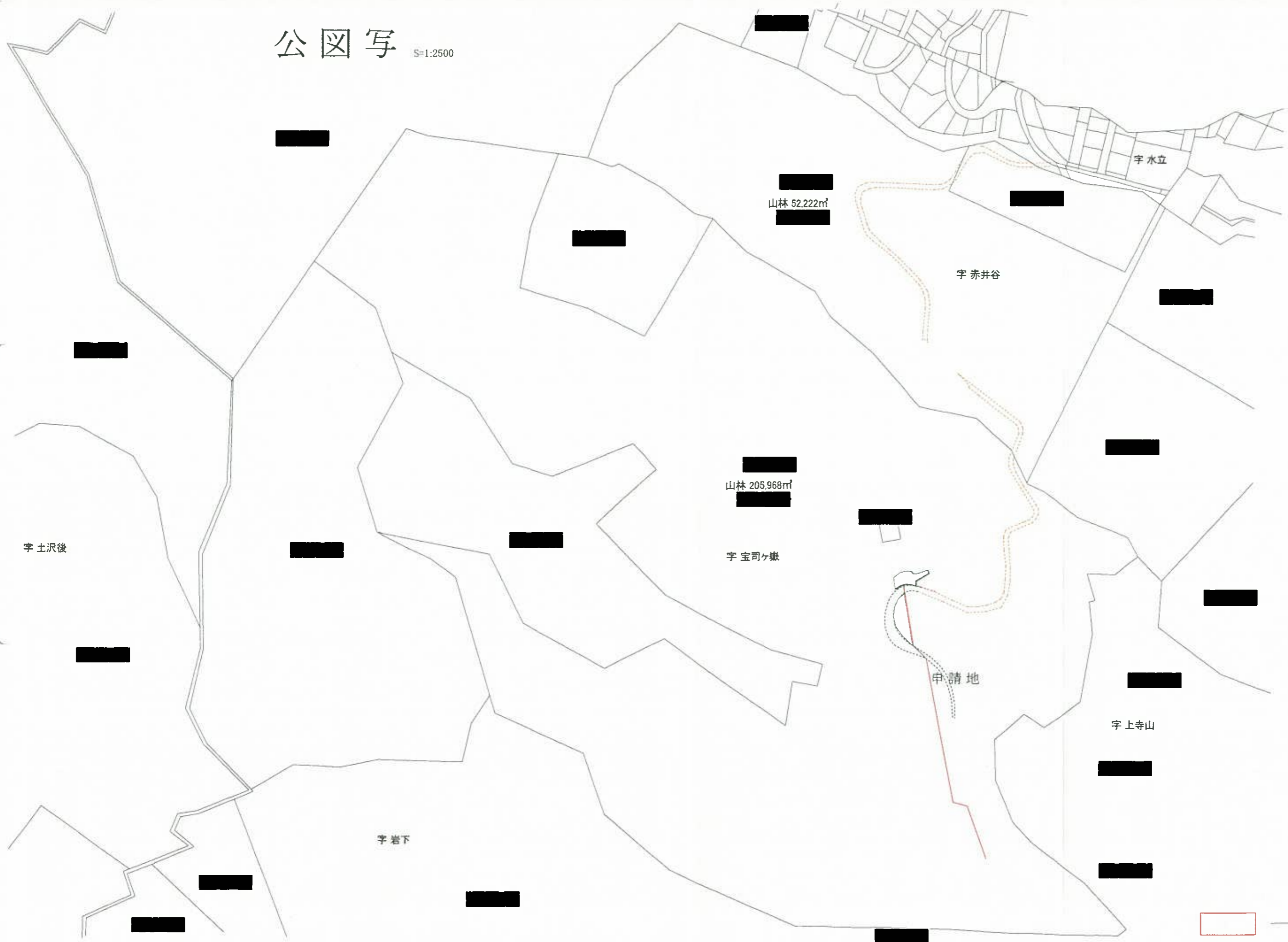
Google



Google

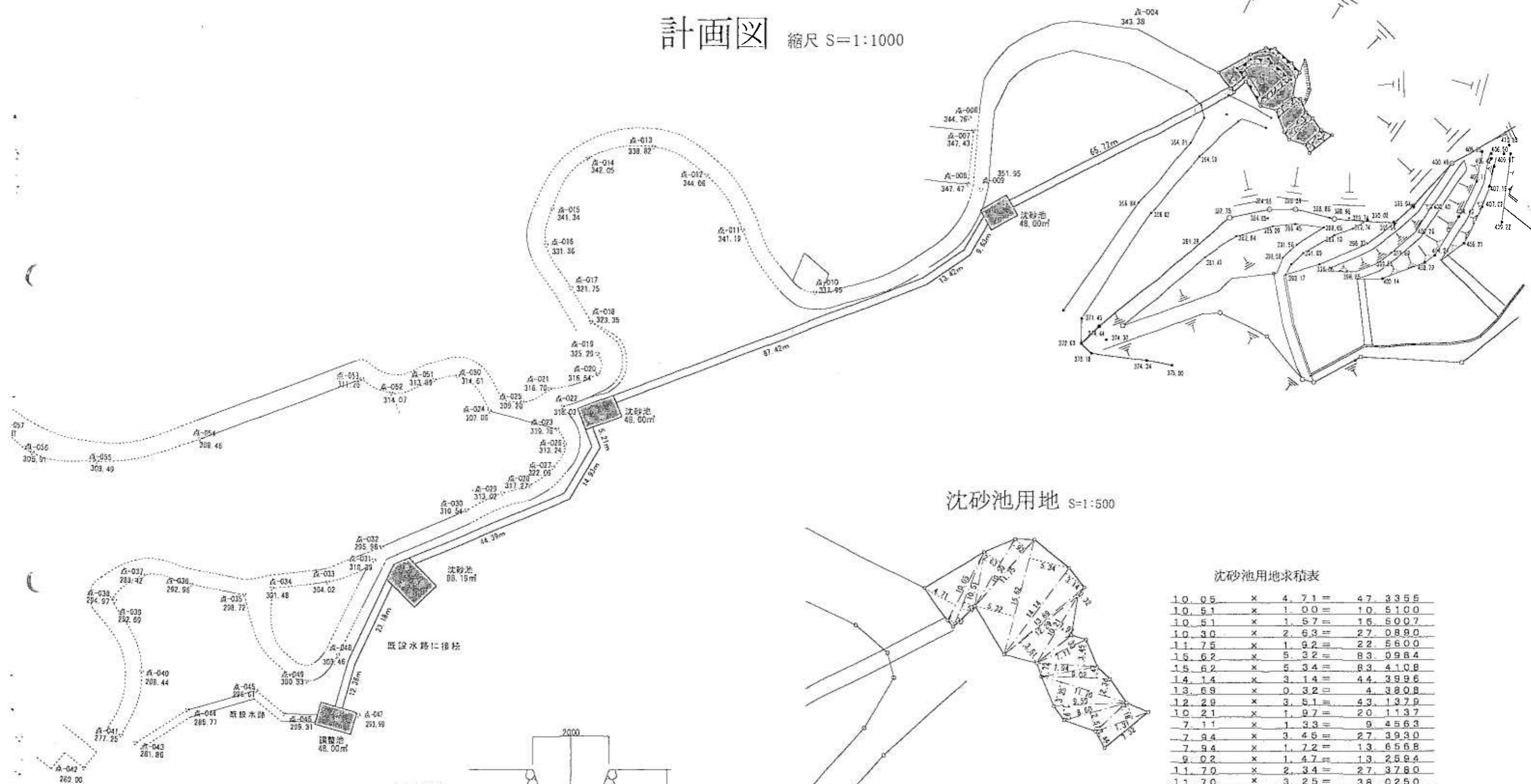
公図写

S=1:2500

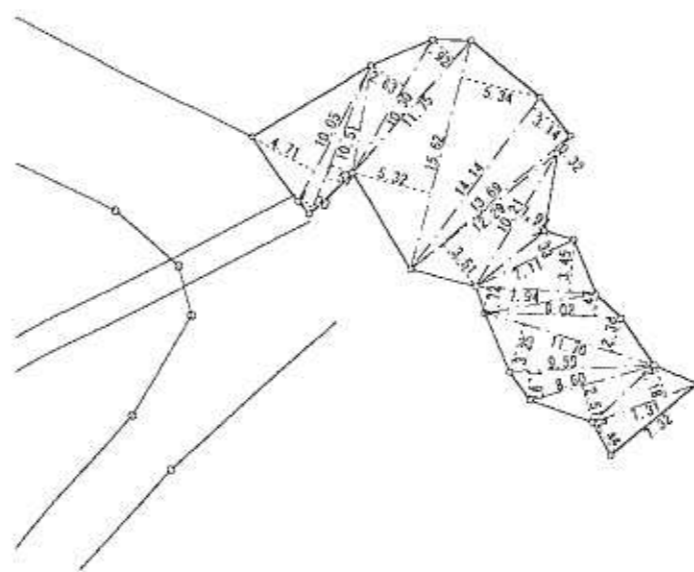


— 造成区域

計画図 縮尺 S=1:1000



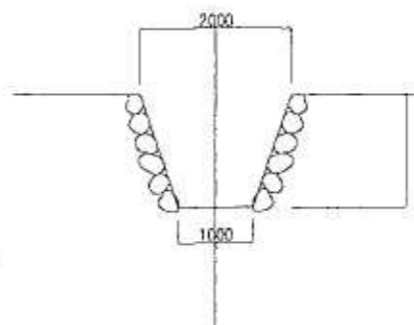
沈砂池用地 S=1:500



沈砂池用地求積表

10.05	×	4.71	=	47.3355
10.51	×	1.00	=	10.5100
10.51	×	1.57	=	16.5007
10.30	×	2.63	=	27.0890
11.75	×	1.92	=	22.5600
15.62	×	5.32	=	83.0984
15.62	×	5.34	=	83.4108
14.14	×	3.14	=	44.3996
13.59	×	0.32	=	4.3808
12.29	×	3.51	=	43.1379
10.21	×	1.97	=	20.1137
7.11	×	1.33	=	9.4563
7.94	×	3.45	=	27.3930
7.94	×	1.72	=	13.6568
9.02	×	1.47	=	13.2594
11.70	×	2.34	=	27.3780
11.70	×	3.25	=	38.0250
9.59	×	1.97	=	18.8923
8.60	×	2.51	=	21.5860
7.31	×	2.18	=	15.9358
7.32	×	2.44	=	17.8608
				605.9798
				302.9899
				302.96m²

- 排水用地 552.56m² (276.28m × 2)
- 沈砂池用地 535.17m²
- 調整池用地
- 合計面積 1087.73m²



水路標準断面図

求積図 S=1:1000



① 行為地面積

7.55	x	3.14	=	23.7070
51.19	x	3.85	=	197.0815
51.19	x	12.78	=	654.2082
32.50	x	7.22	=	234.6500
36.79	x	5.23	=	192.4117
42.50	x	7.89	=	335.3250
42.50	x	2.80	=	119.0000
51.18	x	8.26	=	422.7468
51.18	x	10.89	=	557.3502
47.49	x	14.00	=	664.8600
47.49	x	2.88	=	136.7712
46.81	x	7.74	=	362.3094
41.79	x	3.15	=	131.6385
42.83	x	25.04	=	1072.4632
52.13	x	10.64	=	554.6632
53.40	x	13.92	=	743.5280
53.40	x	12.28	=	655.5520
49.47	x	14.44	=	714.3468
34.00	x	8.88	=	301.9200
34.15	x	3.52	=	120.2080
34.15	x	14.83	=	506.4445
29.48	x	11.03	=	325.1644
34.64	x	8.37	=	289.9368
35.46	x	7.55	=	267.7230
39.52	x	8.46	=	334.3392
28.36	x	2.32	=	65.7952
31.22	x	6.08	=	189.8176
35.22	x	5.82	=	204.9804
35.22	x	3.50	=	123.2700
31.37	x	11.33	=	355.4221
31.26	x	6.67	=	208.5042
32.78	x	3.25	=	106.5350
37.07	x	6.74	=	249.8518
39.78	x	2.35	=	93.4830
39.78	x	6.21	=	247.0338
46.10	x	7.87	=	353.5870
52.29	x	5.48	=	286.5492
52.29	x	7.63	=	398.9727
44.93	x	7.58	=	340.5694
44.93	x	8.38	=	376.5134
39.74	x	11.53	=	458.2022
30.48	x	4.44	=	135.3312
30.48	x	17.62	=	537.0576
47.98	x	13.18	=	632.3764
47.98	x	5.57	=	267.2496
41.04	x	3.94	=	161.6976
41.04	x	10.31	=	423.1224
29.14	x	13.37	=	389.6018
18.83	x	4.62	=	86.9946
21.52	x	3.31	=	71.2312
23.57	x	10.44	=	246.0708
23.57	x	3.29	=	77.5453
19.22	x	3.75	=	72.0750
17.97	x	5.32	=	95.6004
8.92	x	2.15	=	19.1780
合計				17454.5665
1/2				8727.28325
				8727.28㎡

② 緑地帯面積(緑地帯の幅10.00m)

19.95	x	10.00	=	199.5000
18.70	x	3.39	=	63.3930
18.70	x	8.72	=	163.0640
48.18	x	9.88	=	476.0184
48.18	x	9.34	=	450.0012
16.20	x	6.37	=	103.1940
16.20	x	8.56	=	138.6720
12.90	x	5.45	=	70.3050
12.90	x	7.31	=	94.2990
15.28	x	6.72	=	102.6816
15.28	x	6.93	=	105.8304
18.10	x	8.86	=	160.3660
18.10	x	6.01	=	108.7810
11.70	x	1.51	=	17.7670
11.70	x	5.64	=	65.9880
19.34	x	8.29	=	160.3286
19.34	x	7.78	=	150.4652
22.96	x	8.34	=	191.4864
22.96	x	6.49	=	149.0104
13.64	x	2.58	=	35.1912
13.64	x	4.29	=	58.5156
17.89	x	6.38	=	114.1382
17.89	x	7.51	=	134.3699
17.80	x	7.48	=	133.1440
17.80	x	6.18	=	110.0040
15.20	x	5.08	=	77.2160
15.20	x	7.06	=	107.3120
12.66	x	5.57	=	70.5162
12.66	x	7.11	=	90.0126
10.82	x	2.67	=	28.8894
10.82	x	2.57	=	27.8074
13.11	x	5.36	=	70.2696
13.11	x	6.65	=	87.1815
12.58	x	5.87	=	73.8446
12.58	x	5.04	=	63.4032
15.86	x	8.39	=	133.0554
15.86	x	2.20	=	34.8920
13.12	x	6.39	=	83.8368
10.01	x	3.58	=	35.8358
18.82	x	8.22	=	154.7004
18.82	x	9.27	=	174.4614
14.16	x	6.01	=	85.1016
14.16	x	7.22	=	102.2352
21.02	x	8.70	=	182.8740
21.02	x	8.28	=	174.0456
24.86	x	9.58	=	238.1988
24.86	x	9.33	=	231.9438
11.89	x	5.04	=	59.9256
11.89	x	3.81	=	45.3009
10.70	x	1.79	=	19.1530
10.70	x	5.30	=	56.7100
13.44	x	5.30	=	71.2320
13.44	x	3.04	=	40.8576
19.67	x	6.12	=	120.3804
20.01	x	10.00	=	200.1000
13.69	x	9.07	=	124.1683
13.69	x	3.26	=	44.6294
14.37	x	3.79	=	54.4623
14.37	x	5.21	=	75.0777
17.52	x	6.54	=	114.5808
18.70	x	10.00	=	187.0000
13.29	x	3.35	=	44.5215
13.29	x	5.99	=	79.6071
10.85	x	4.61	=	50.0185
10.85	x	3.01	=	32.6585
26.12	x	8.87	=	231.6844
26.12	x	9.54	=	249.1848
21.50	x	8.00	=	172.0000
21.50	x	8.49	=	182.5350
15.75	x	8.21	=	129.3075
15.75	x	8.71	=	137.1825
11.72	x	3.89	=	45.5808
11.72	x	3.07	=	35.9804
21.35	x	7.65	=	162.3275
21.35	x	7.88	=	168.2380
17.49	x	9.36	=	163.7084
17.49	x	5.92	=	103.5408
15.35	x	4.98	=	76.4430
15.35	x	5.49	=	84.2715
14.52	x	5.03	=	73.0356

14.52	x	7.81	=	113.4012
13.99	x	6.41	=	89.6759
13.99	x	6.59	=	92.1941
15.62	x	8.04	=	125.5848
15.62	x	8.38	=	130.8956
10.64	x	2.38	=	25.3232
10.64	x	5.03	=	53.5192
17.69	x	9.22	=	163.1018
17.69	x	7.96	=	140.8124
19.44	x	8.63	=	167.6532
19.44	x	8.95	=	173.9880
15.07	x	6.99	=	105.3393
15.07	x	7.79	=	117.3953
26.08	x	9.05	=	236.0240
26.08	x	9.74	=	254.0192
23.34	x	8.46	=	197.4564
24.94	x	10.00	=	249.4000
32.18	x	8.30	=	267.0940
32.18	x	8.60	=	276.7480
20.58	x	7.32	=	150.6456
20.58	x	6.74	=	138.7092
11.69	x	8.69	=	101.5861
11.69	x	2.55	=	29.8095
20.50	x	7.23	=	148.2150
20.50	x	7.77	=	159.2850
15.14	x	8.79	=	133.0806
15.14	x	5.99	=	90.6886
10.26	x	4.89	=	50.1774
39.17	x	9.43	=	369.3731
39.17	x	7.94	=	311.0098
14.49	x	2.58	=	37.3842
合計				14056.3739
1/2				7028.18745
				7028.18㎡

